

FICHE TECHNIQUE

F • FV • FK • FT • CT

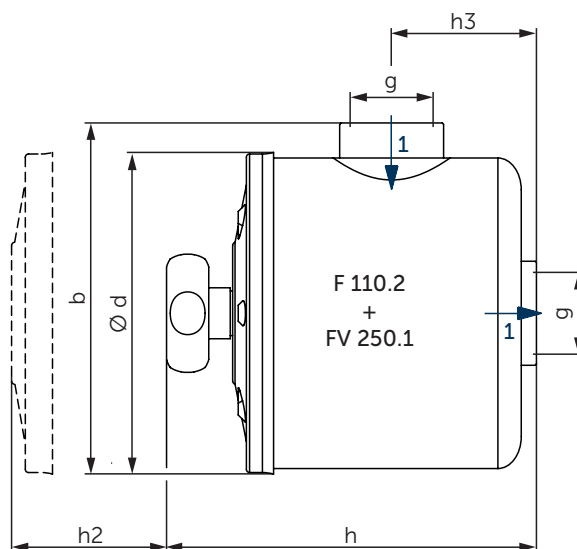
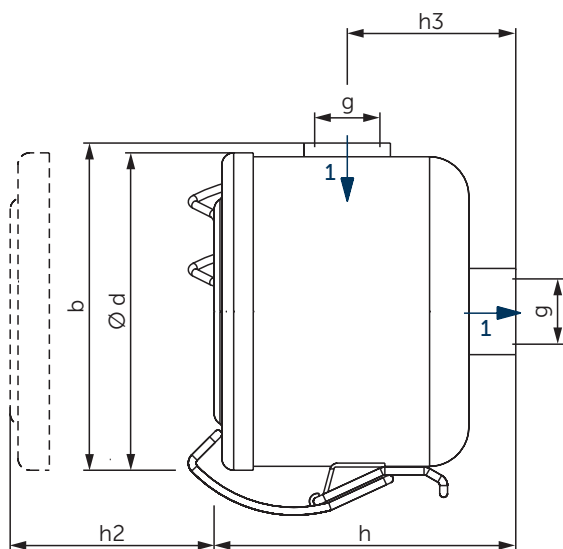
FILTRES

MAKE IT BECKER.



F • FV FILTRES

pour pompes à vide et compresseurs
boîtier de filtre avec cartouche de filtre



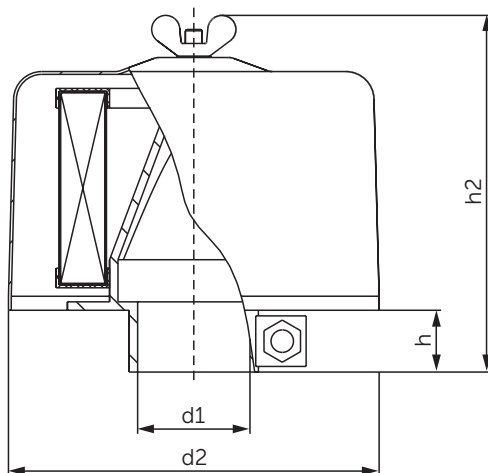
1 Direction du flux

				mm [inch]					
				g	b	Ød	h	h2 ¹⁾	h3
F6				G ³ / ₈	81–87 [3,2–3,4]	77–80 [3,0–3,2]	75–79 [3,0–3,1]	60 [2,4]	40–44 [1,6–1,7]
F10	F10/2			G ³ / ₄	102–112 [4,0–4,4]	95–102 [3,7–4,0]	85–92 [3,3–3,6]	71 [2,8]	52–56 [2,0–2,2]
F35	F35/2			G1 ¹ / ₄	142–148 [5,6–5,8]	133–139 [5,2–5,5]	98–100 [3,9–3,9]	75 [3,0]	53–57 [2,1–2,2]
F110	F111	F112		G1 ¹ / ₄	179–188 [7,1–7,4]	170–175 [6,7–6,9]	154–172 [6,1–6,8]	130 [5,1]	93–95 [3,6–3,7]
FV200	FV202			G2	213–228 [8,4–9,0]	200–205 [7,9–8,1]	245–260 [9,7–10,2]	220 [8,7]	133–135 [5,2–5,3]
FV250	FV251	FV252	FV250.3	G2 ¹ / ₂	213–228 [8,4–9,0]	200–205 [7,9–8,1]	245–260 [9,7–10,2]	220 [8,7]	124–126 [4,9–5,0]
FV540	FV541	FV542	FV540.4	G4	332–337 [13,1–13,3]	270–274 [10,6–10,8]	263–268 [10,4–10,6]	165 [6,5]	159–165 [6,3–6,5]
FV660.4				G4	342–348 [13,5–13,7]	288–292 [11,3–11,5]	496–502 [19,5–19,8]	335 [13,2]	313–317 [12,3–12,5]
F110.2				G1 ¹ / ₄	181 [7,1]	170 [6,7]	191 [7,5]	130 [5,1]	93–95 [3,6–3,7]
FV250.1				G2 ¹ / ₂	217 [8,5]	200 [7,9]	293 [11,5]	220 [8,7]	124–126 [4,9–5,0]

¹⁾ Espace pour enlever la cartouche de filtre (hauteur de dégagement)

		Charge nominale @ Δp 19 mbar	Degré de filtration nominale	Poids	Référence	Cartouche de remplacement
		m ³ /h		kg ($\pm 25\%$)	Filtre complet	
F 6	PAPIER	24	99% @ 2,0 μm	0,26	74000010000	90957100000
F 10	PAPIER	40	99% @ 2,0 μm	0,55	74000105000	84040105000
F 35	PAPIER	90	99% @ 2,0 μm	1,0	74000107000	84040107000
F 110	PAPIER	144	99% @ 2,0 μm	1,85	74000207000	84040207000
FV 200	PAPIER	300	99% @ 2,0 μm	4,3	74000208010	84040110000
FV 250	PAPIER	300	99% @ 2,0 μm	4,3	74000110000	84040110000
FV 540	PAPIER	450	99% @ 2,0 μm	14,5	74000112010	84040112000
F 10/2	POLYESTER	40	99% @ 5,0 μm	0,55	74000105020	90956500000
F 35/2	POLYESTER	90	99% @ 5,0 μm	1,0	74000107030	90956100000
F 112	POLYESTER	144	99% @ 5,0 μm	1,85	74000207030	90956600000
FV 202	POLYESTER	300	99% @ 5,0 μm	4,3	74000208020	90956700000
FV 252	POLYESTER	300	99% @ 5,0 μm	4,3	74000110400	90956700000
FV 542	POLYESTER	450	99% @ 5,0 μm	14,5	74000112050	90958900000
FV 250.3	HEPA H14	173	99,97% @ 0,3 μm	4,3	74000325000	90955000800
FV 540.4	HEPA H14	450	99,97% @ 0,3 μm	14,5	74000112060	90950454000
FV 660.4	HEPA H14	660	99,97% @ 0,3 μm	20,0	74000307040	90950466000
F 111	CHARBON ACTIV		99% @ 3,0–4,0 μm	1,85	74000207020	90957500000
FV 251	CHARBON ACTIV		99% @ 3,0–4,0 μm	4,3	74000410000	90954400000
FV 541	CHARBON ACTIV		99% @ 3,0–4,0 μm	14,5	74000112040	90954700000
F 110.2	PAPIER	144	99% @ 2,0 μm	1,95	74000207011	84040207000
FV 250.1	PAPIER	300	99% @ 2,0 μm	4,4	74000110100	84040110000

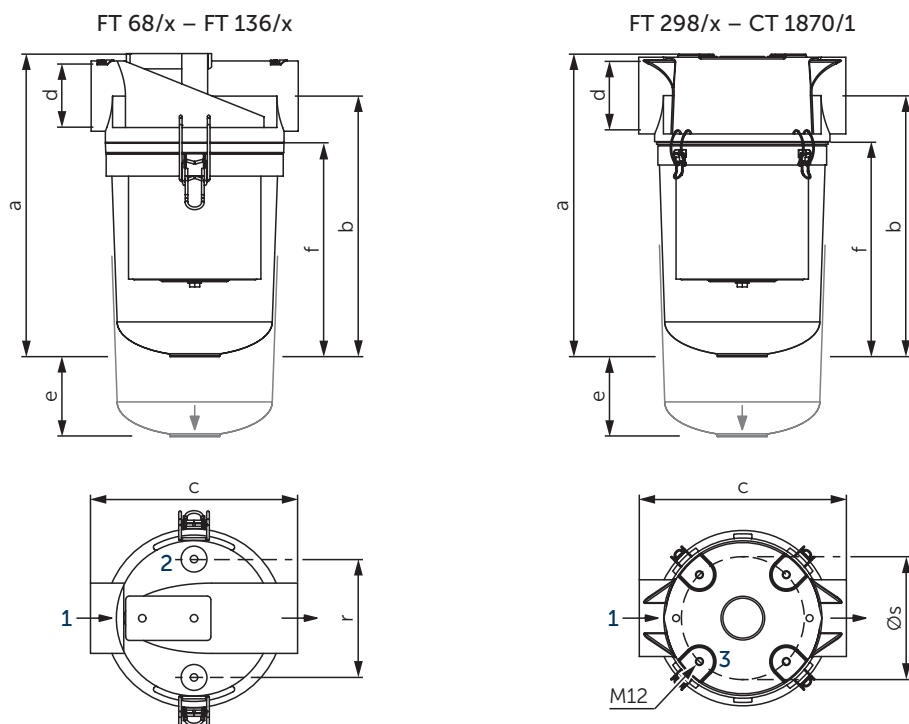
• Changement de filtre en cas de différence de pression de 38 mbar (HEPA 25-37 mbar) supérieur à Δp de début.

FK FILTRES**pour compresseurs****boîtier de filtre avec cartouche de filtre****un tube est nécessaire au montage**

		Charge nominale @ Δp 19 mbar	Degré de filtration nominale	mm [inch]				Poids
		m ³ /h		d1	d2	h	h2	kg (±25%)
FK 35	PAPIER	85	99% @ 2,0 μ m	39,5–40,3 [1,56–1,59]	130–134 [5,12–5,28]	18–22 [0,71–0,87]	117–127 [4,61–5,00]	0,61
FK 35/2	POLYESTER	94	99% @ 5,0 μ m	39,5–40,3 [1,56–1,59]	130–134 [5,12–5,28]	18–22 [0,71–0,87]	117–127 [4,61–5,00]	0,61
FK 200	PAPIER	150	99% @ 2,0 μ m	51,5–52,3 [2,03–2,06]	126–134 [4,96–5,28]	17–27 [0,67–1,06]	149–161 [5,87–6,34]	0,71
FK 202	POLYESTER	150	99% @ 5,0 μ m	51,5–52,3 [2,03–2,06]	126–134 [4,96–5,28]	17–27 [0,67–1,06]	149–161 [5,87–6,34]	0,71
FK 450	PAPIER	480	99% @ 2,0 μ m	80,0–80,3 [3,15–3,16]	198–210 [7,80–8,27]	23–32 [0,91–1,26]	175–190 [6,90–7,49]	1,5
FK 452	POLYESTER	480	99% @ 5,0 μ m	80,0–80,3 [3,15–3,16]	198–210 [7,80–8,27]	23–32 [0,91–1,26]	175–190 [6,90–7,49]	1,5
FK 1000	PAPIER	900	99% @ 2,0 μ m	100–101 [3,94–3,98]	280–295 [11,03–11,62]	23–30 [0,91–1,18]	210–220 [8,27–8,67]	2,4
FK 1002	POLYESTER	900	99% @ 5,0 μ m	100–101 [3,94–3,98]	280–295 [11,03–11,62]	23–30 [0,91–1,18]	210–220 [8,27–8,67]	2,4
FK 1500	PAPIER	1800	99% @ 2,0 μ m	180–181 [7,09–7,13]	317–323 [12,49–12,73]	32–65 [1,26–2,56]	270–295 [10,64–11,62]	4,3
FK 1502	POLYESTER	1800	99% @ 5,0 μ m	180–181 [7,09–7,13]	317–323 [12,49–12,73]	32–65 [1,26–2,56]	270–295 [10,64–11,62]	4,3

		Référence			
		Filtre complet	Cartouche de remplacement	Filtre complet avec raccord à vis	Raccord à vis
FK 35	PAPIER	74000807000	84040107000	74000807020 (1¼")	03920022000 (1¼")
				74000807010 (1½")	03920045000 (1½")
FK 35/2	POLYESTER	74000808000	90956100000		03920022000 (1¼")
					03920045000 (1½")
FK 200	PAPIER	74000209000	84040209000	74000209010 (2")	03920047000 (2")
				74000209030 (2½")	74000209030 (2½")
FK 202	POLYESTER	74000219000	90956200000		03920047000 (2")
					74000209030 (2½")
FK 450	PAPIER	74001110000	84040910000	74001110020 (2½")	93920118000 (2½")
				74001110010 (3")	73920611000 (3")
FK 452	POLYESTER	74001120000	90956300000		93920118000 (2½")
					73920611000 (3")
FK 1000	PAPIER	74000512000	84040112000	74000512010 (4")	03920067000 (4")
FK 1002	POLYESTER	74000513000	90958900000		03920067000 (4")
FK 1500	PAPIER	74000416000	90951700000	74000415010 (4")	38318016912 (4")
FK 1502	POLYESTER	74000519000	90952800000	74000519010 (4")	38318016912 (4")

- Changement de filtre en cas de différence de pression de 58 mbar (polyester 52 mbar) supérieur à Δp de début.

FT • CT FILTRES**pour pompes à vide et compresseurs****boîtier de filtre avec cartouche de filtre****filtres FT avec boîtier transparent, filtres FT avec boîtier noir**

- 1 Direction du flux
 2 Option de fixation (à fournir par le client)
 3 Trous de fixation M12 x 1,75

		d	a	b	c	mm [inch]		r	Øs
						e ¹⁾	f		
FT 68/1	FT 68/2	1"	340 [13,4]	303 [11,9]	178 [7,0]	260 [10,2]	264 [10,4]	101,6 [4]	–
FT 102/1	FT 102/2	1¼"	340 [13,4]	303 [11,9]	178 [7,0]	260 [10,2]	264 [10,4]	101,6 [4]	–
FT 136/1	FT 136/2	1½"	340 [13,4]	303 [11,9]	178 [7,0]	260 [10,2]	264 [10,4]	101,6 [4]	–
FT 298/1	FT 298/2	2"	413 [16,3]	362 [14,3]	229 [9,0]	260 [10,2]	318 [12,5]	–	133,4 [5,3]
FT 357/1	FT 357/2	2½"	413 [16,3]	362 [14,3]	229 [9,0]	260 [10,2]	318 [12,5]	–	133,4 [5,3]
FT 510/1	FT 510/2	3"	502 [19,8]	432 [17,0]	343 [13,5]	260 [10,2]	356 [14,0]	–	203,2 [8,0]
FT 884/1	FT 884/2	4"	502 [19,8]	432 [17,0]	343 [13,5]	260 [10,2]	356 [14,0]	–	203,2 [8,0]
CT 298/1	CT 298/2	2"	330 [13,0]	276 [10,9]	229 [9,0]	260 [10,2]	229 [9,0]	–	133,4 [5,3]
CT 884/1	CT 884/2	4"	473 [18,6]	410 [16,2]	343 [13,5]	260 [10,2]	330 [13,0]	–	203,2 [8,0]
CT 1870/1		6"	483 [19,0]	368 [14,5]	483 [19,0]	260 [10,2]	251 [9,9]	–	

¹⁾ Espace pour enlever la cartouche de filtre (hauteur de dégagement)

		Charge nominale	Degré de filtration nominale	Poids	Référence	Cartouche de remplacement
		m ³ /h		kg (±25%)	Filtre complet	
FT 68/1	PAPIER	68	99% @ 2,0 µm	5,0	74002009000	90955000100
FT 68/2	POLYESTER	68	99% @ 5,0 µm	5,0	74002109000	90955000200
FT 102/1	PAPIER	102	99% @ 2,0 µm	4,7	74002209000	90955000100
FT 102/2	POLYESTER	102	99% @ 5,0 µm	4,7	74002309000	90955000200
FT 136/1	PAPIER	136	99% @ 2,0 µm	4,6	74002409000	90955000100
FT 136/2	POLYESTER	136	99% @ 5,0 µm	4,6	74002509000	90955000200
FT 298/1	PAPIER	298	99% @ 2,0 µm	7,2	74002609000	90955000300
FT 298/2	POLYESTER	298	99% @ 5,0 µm	7,2	74002709000	90955000400
FT 357/1	PAPIER	357	99% @ 2,0 µm	6,8	74002809000	90955000300
FT 357/2	POLYESTER	357	99% @ 5,0 µm	6,8	74002909000	90955000400
FT 510/1	PAPIER	510	99% @ 2,0 µm	13	74003009000	90955500000
FT 510/2	POLYESTER	510	99% @ 5,0 µm	13	74003109000	90955800000
FT 884/1	PAPIER	884	99% @ 2,0 µm	11	74003209000	90955500000
FT 884/2	POLYESTER	884	99% @ 5,0 µm	11	74003309000	90955800000
CT 298/1	PAPIER	298	99% @ 2,0 µm	7,5	74000116000	90955000500
CT 298/2	POLYESTER	298	99% @ 5,0 µm	7,5	74000117000	90956700000
CT 884/1	PAPIER	884	99% @ 2,0 µm	12	74012200000	90955500000
CT 884/2	POLYESTER	884	99% @ 5,0 µm	12	74012800000	90955800000
CT 1870/1	PAPIER	1870	99% @ 2,0 µm	20	74013100000	90957900000

• Changement de filtre en cas de différence de pression de 58 mbar (polyester 52 mbar) supérieur à Δp de début.



MAKE IT BECKER.